

# FLOJET®

## "Triplex Diaphragm" 3426 / 3526 / 3626 Series Automatic Water System Pump

### FEATURES

- Self-Priming
- Dry Running
- Soft Noise Absorbing Mounts
- Snap-in Port Fittings
- Built-in Bypass — Less Pulsation
- Corrosion Resistant Materials
- Meets ISO 8846

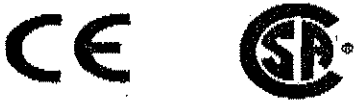
### SPECIFICATIONS

**Motor:** Permanent Magnet, Ball Bearing  
Totally Enclosed. CE Models are fully suppressed.

**Pump:** Three chamber diaphragm design  
Self-priming up to 9 feet suction lift;  
Pump able to run dry without damage



Model 3426 / 3526 / 3626 Series



### Dimensions English (SI)

Pump Series	Height Inches (cm)	Length inches (cm)	Width inches (cm)	Weight Lb (Kg)
3X26 - XXX	4.75 (12.07)	9.01 (22.86)	6.00 (15.24)	3.50 (1.59)

MODEL*	VOLTS	AMP DRAW @10 psi (0.7 bar)	FLOW GPM (LPM)	PRESSURE SWITCH Max psi (bar)	BYPASS
03526 - 144	12V dc	4.4	2.9 (11.0)	50 (3.4)	Yes
R3626 - 344	24V dc	2.2	2.9 (11.0)	40 (2.6)	Yes
R3426 - 144	12V dc	4.4	2.9 (11.0)	25 (1.6)	No
R3426 - 344	24V dc	2.2	2.9 (11.0)	25 (1.6)	No
R3426 - 148	12V dc	3.5	2.0 (7.60)	25 (1.6)	No
R3426 - 348	24V dc	1.7	2.0 (7.60)	25 (1.6)	No

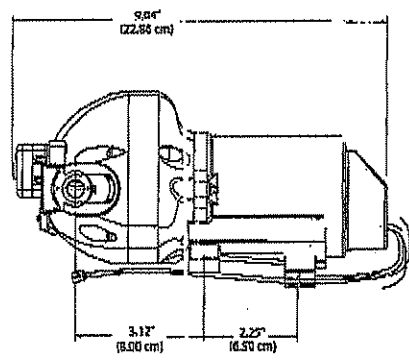
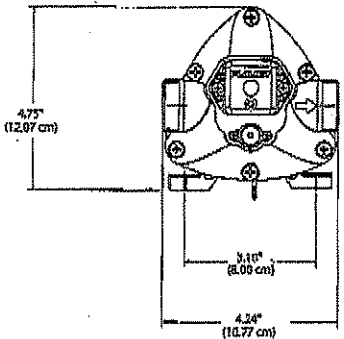
\*CE fully suppressed models are identified by a prefix "R" and a CE mark on the label.(i.e. R3626 - 344).  
Self Declaration Of Conformance (SDOC) is available upon request.

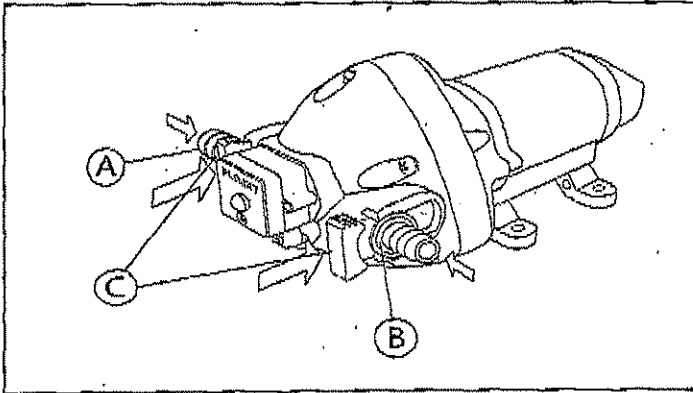
### OPERATION

With pump switch off and battery fully charged, fill water tank, open all faucets, then turn pump switch on. Water will begin to flow. When the water is free of air, turn faucets off. Remember, you are filling the water heater

and the toilet and shower lines. When all valves are shut-off, pump will stop. Should pump fail to stop, turn switch off and see the trouble shooting guide.

### DIMENSIONAL DRAWING





## INSTALLATION

### STEP 1

Remove shipping plugs from pump ports. Some water from factory testing may spill out.

### STEP 2

Connect fittings supplied with the pump to the RV's plumbing. Use 1/2" I.D. Flexible hose (preferably braided or reinforced) to reduce vibration through the plumbing system as shown on Fig. 1. Use hose clamps on the slip-on barb hose connectors.

### STEP 3

Slide rubber mounts fully into 4 mounting tracks.

### STEP 4

Mount pump vertically, with pump head down or horizontally in an accessible location. If mounting vertically, motor up, attach motor mounts first then pump head mounts, while supporting weight of pump.

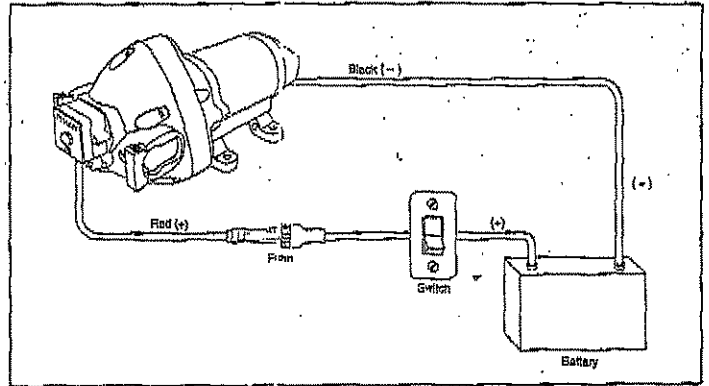
### STEP 5

Install inlet A and discharge B port connectors. Firmly push slide clips C forward to lock port connectors in place.

### STEP 6

Install a Flojet strainer in an accessible location (for inspection and cleaning) between the tank and pump inlet.

This strainer or equivalent is required for pump warranty to be valid.



## WIRING

### STEP 1

Use 14 gauge stranded wire to 20', 12 gauge to 50', from power source.

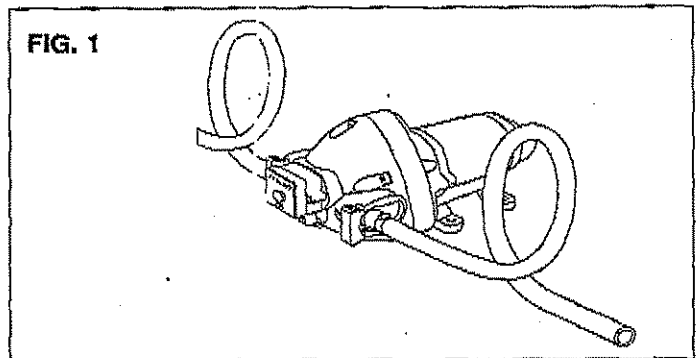
### STEP 2

Use a 10-15 amp rated on-off switch on the (+) positive (red) motor lead.

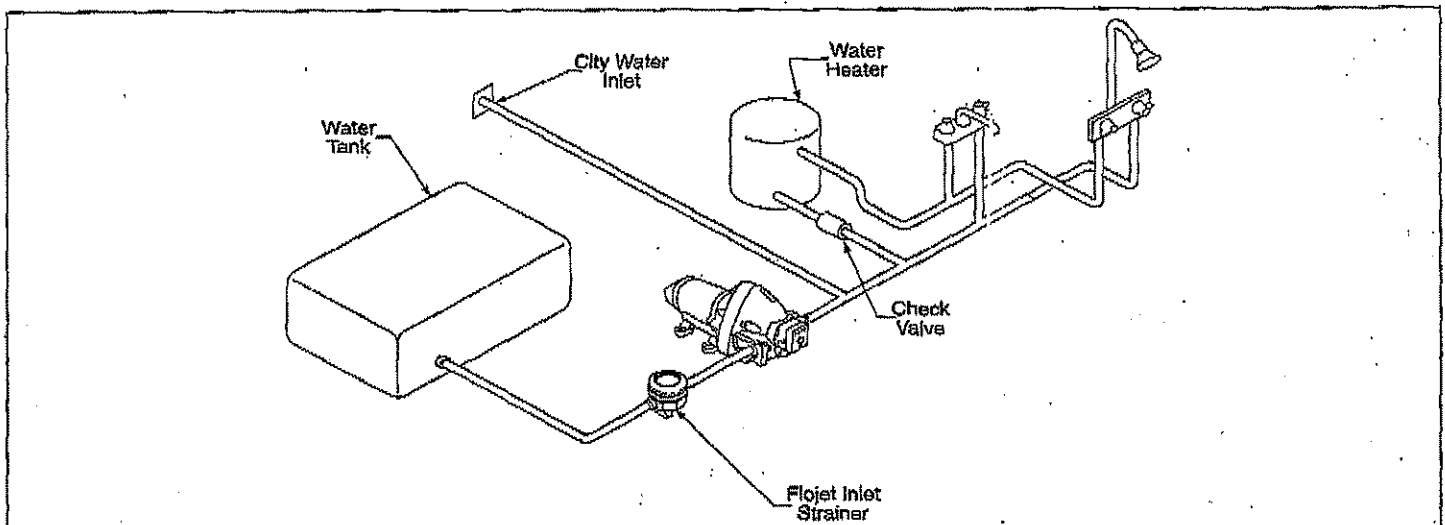
### STEP 3

Install a 10 amp fuse protection on the positive lead.

FIG. 1



**Note:** To help reduce noise and vibration of the pump through the system use flexible lines on the inlet and outlet of the pump as shown above. Be sure to use lines rated to not collapse under pump vacuum.



## TROUBLESHOOTING

**WARNING: BEFORE SERVICING PUMP TURN OFF PUMP AND DRAIN WATER FROM SYSTEM!**

### Failure to Prime - Motor operates, but no pump discharge

- Restricted intake or discharge line
- Air leak in intake line
- Debris in pump
- Punctured pump diaphragm (pump leaks)
- Crack in pump housing

### Motor fails to turn on

- Loose wiring connection
- Pump circuit has no power
- Blown fuse
- Pressure switch failure
- Defective motor

### Pulsating Flow

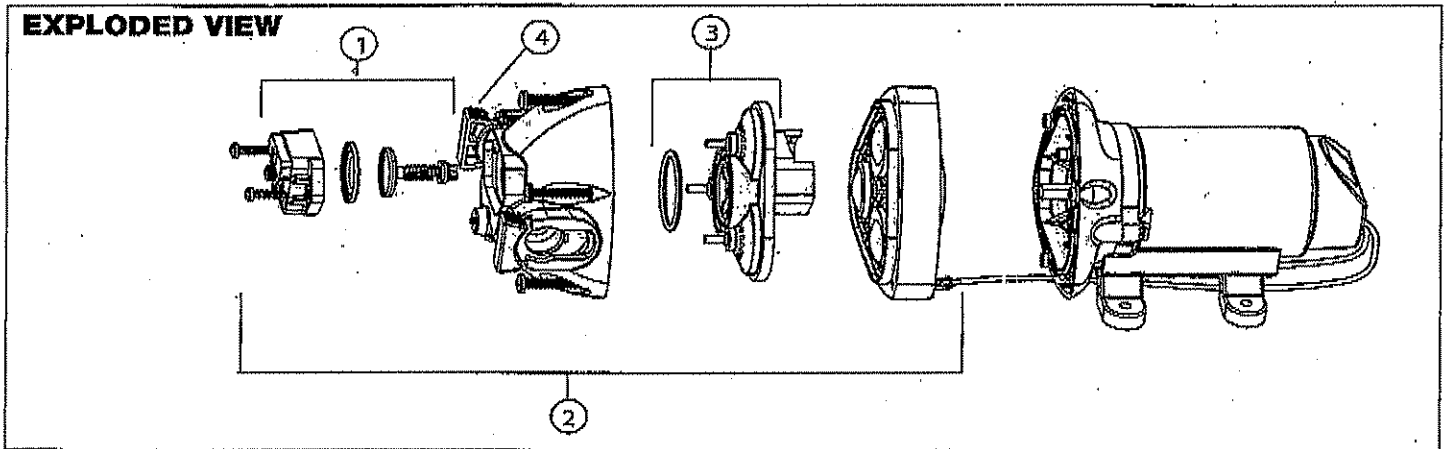
- Restricted pump delivery. Check discharge lines, fittings and valves for clogging or undersizing

### Pump Fails to Turn Off After All Fixtures Are Closed

- Empty water tank
- Insufficient voltage to pump (low battery)
- Punctured pump diaphragm (pump leaks)
- Discharge line leak
- Defective pressure switch

### Low Flow and Pressure

- Air leak at pump intake
- Accumulation of debris inside pump and plumbing
- Worn pump bearing (excessive noise)
- Punctured pump diaphragm (pump leaks)
- Defective motor

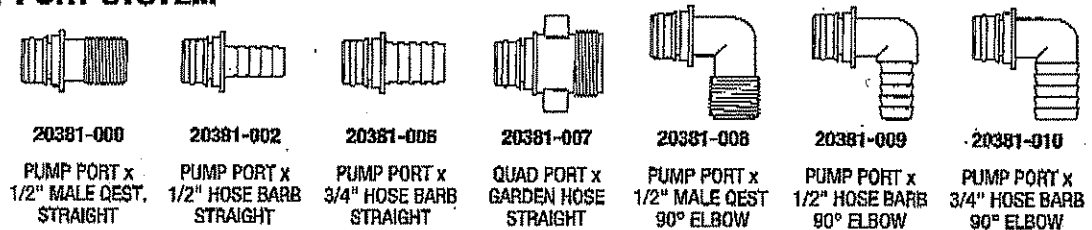


## AUTOMATIC WATER SYSTEM PUMP SERVICE PARTS

KEY#	DESCRIPTION	3426 - XXX	3526 - XXX	3626 - XXX
1	Pressure Switch	2091 - 025	2091 - 050	2091 - 040
2	Pumphead Assembly	20406 - 047A (2.9 gpm) 20406 - 048A (2.0 gpm)	20406 - 045A	20406 - 046A
3	Check Valve Assembly	20407 - 034	20407 - 034	20407 - 034
4	Slide Clips (Pair)	21000 - 407	21000 - 407	21000 - 407

## ACCESSORIES

### QUICK CONNECT PORT SYSTEM



The above part numbers are packaged with 2 fittings per bag.

STRAINERS	Pump Series	Strainer Number	Inlet	Outlet	Screen
	3X26 - XXX	1740 - 012	1/2 Barb	Quad Port	40 Mesh
		1740 - 002	1/2 Barb	1/2 Barb	40 Mesh
		1740 - 004	1/2 M Qest	1/2 M Qest	40 Mesh
		1740 - 014	1/2 M Qest	Quad Port	40 Mesh

## SYSTEM CARE AND MAINTENANCE

### Winterizing

Allowing water to freeze in the system may result in damage to the pump and plumbing system.

Non-Toxic antifreeze for potable water may be used with Flojet pumps. Follow manufacturers recommendations.

Refer to coach or equipment manufacturers instructions for their specific winterizing and drainage procedures.

**Do not use automotive antifreeze** to winterize potable water systems. These solutions are highly toxic and may cause serious injury or death if ingested.

1. Drain the water tank. Open tank drain valve. You may use the pump to drain the tank by opening all the faucets in the system. Allow the pump to operate until the tank is empty. Do not operate the pump more than 15 minutes continuously.
2. Open all faucets and purge the water from the plumbing system. Turn power to the pump off. Be sure that all the water from the drain lines are drained.
3. Remove quick connect inlet and outlet fittings from the pump and turn the pump on to pump out remaining water from the pump head. Be sure to have a catch pan or a rag under the pump to prevent water from spilling on to the RV. Turn the pump off once the plumbing is empty. Leave the fittings disconnected from the pump until the system is ready to be used again. Make a note on your tank filler that the plumbing is not connected.
4. Be sure that all faucets are left open to protect against damage to the plumbing.

### Sanitizing

Portable water systems require periodic maintenance to deliver a consistent flow of fresh water. Depending on use and the environment the system is subject to, sanitizing is recommended prior to storing and before using the water system after a period of storage.

Systems with new components, or ones that have been subjected to contamination, should also be disinfected as follows:

NOTE: The sanitizing procedure is in conformance with the approved procedures of RVIA ANSI A119.2 and the US Public Health Service.

1. Use of the following methods to determine the amount of common household bleach needed to sanitize the tank.
  - A) Multiply "gallons of tank capacity" by 0.13; the result is the ounces of bleach needed to sanitize the tank.
  - B) Multiply "Liters of tank capacity" by 1.0; the result is the milliliters of bleach needed to sanitize the tank.
2. Mix into solution the proper amount of bleach within a container of water
3. Pour the solution (water/bleach) into the tank and fill the tank with potable water.
4. Open ALL faucets (hot and cold) allowing the water to run until the distinct odor of chlorine is detected.
5. The standard solution must have four (4) hours of contact time to disinfect completely. Doubling the solution concentration allows for contact time of one (1) hour.
6. When the contact time is completed, drain the tank. Refill with potable water and purge the plumbing of all sanitizing solution.

## WARRANTY

FLOJET warrants this product to be free of defects in material and/or workmanship for a period of two years after purchase by the customer from FLOJET. During this two warranty period, FLOJET will at its option, at no charge to the customer, repair or replace this product if found defective in material or workmanship, with a new or reconditioned product, but not to include costs of removal or installation.

This is only an overview of our Limited Warranty. If you would like a copy of our warranty, please call or write FLOJET.

## RETURN PROCEDURE

Prior to returning any product to FLOJET, call customer service for an authorization number. This number must be written on the outside of the shipping package. Place a note inside the package with an explanation regarding the reason for return as well as the authorization number. Include your name, address and phone number.

# Flojet



**ITT Industries**  
*Engineered for life*

U.S.A.  
Flojet  
20 Icon  
Foothill Ranch, CA 92610-3000  
Tel: +1 949 859 4945  
Fax: +1 949 859 1153

UNITED KINGDOM  
Gingley Road, Hoddesdon  
Hertfordshire EN 11 0BU  
United Kingdom  
Tel: +44 1992 450145  
Fax: +44 1992 467132

CANADA  
Fluid Products Canada  
55 Royal Road  
Guelph, Ontario N1H 1T1  
Tel: 519 821 1800  
Fax: 519 821 2569

JAPAN  
NHK Jabsco Company Ltd.  
3-21-10, Shin-Yokohama  
Kohoku-Ku, Yokohama, 222  
Tel: 045 475 8906  
Fax: 045 475 8908

GERMANY  
Jabsco GmbH  
Oststrasse 28  
22844 Norderstedt  
Tel: +49 40 53 53 73 0  
Fax: +49 40 53 53 73 11